



Project Name:

# IW25-4 ON Wall Dehumidifier with Bi-Polar Ion Generator

## Specification Submittal Data Sheet

Part Number .....	IW25-4 ON Wall
Base Unit .....	27.625" (27 5/8") x 14.25" (14 1/4") x 5.75" (5 3/4")
Base Unit & ON Wall Cover .....	27.625" (27 5/8") x 14.25" (14 1/4") x 7.25" (7 1/4")
Weight .....	39 lbs
Rated Average Power Consumption (@ 80°F/60% RH) .....	300 Watts
Max Power consumption (@ 90°F/ 95% RH) .....	440 Watts
Max Absorbed Current (@ 80°F/60% RH) F.L.A .....	2.8 Amps
Locked Rotor Current L.R.A .....	14 Amps
Air Flow (with Clean Air Filter) .....	155 cfm
Second Pressure Level (at 3 MTS in Free Field) .....	45 dbA
Refrigerant R134A .....	190G
Defrosting Control System .....	Electrical
Drain Connection .....	3/4" Hose
Functioning Temperature Range .....	46-95°F
Functioning Relative Humidity Range .....	36-90% R.H.
Rated Condensation Capacity (@ 80°F/60% RH) .....	up to 29.5 PPD
Ion Output .....	3,000,000/ cc
Test Condition .....	20 Cm (from Ionizer); Wind Speed 1m/s
Ion Type .....	Bi-Polar   Positive and Negative Ions
Input Voltage .....	DC 24. OV±0. 1V

Specifications subject to change without notice



- Tamper-Proof Cover
  - Secured with signature screws
- Automatic Restart
  - In the event of a power outage
- LED Indicator Lamp
  - Signals when filter needs to be maintained
- MERV 8 Washable Filter
  - Easily accessed for cleaning
- Micro-channel Condenser Coil
  - Used to pull in moisture from air
- All Aluminum Evaporator Coil
  - Increases strength and longevity
- Alternate Power and Drain Routing
  - To ensure proper placement
- 5 Year Warranty
  - Full 60 month warranty on parts & labor

\* Layout and moisture conditions vary in every apartment and home; in typical conditions, the IW-25 can maintain the RH of 59% or less but is not guaranteed.

Moisture removal will vary in relation to unit's power, temperature, and relative humidity. Amp draw varies at different climate conditions.

\*\* dBA is tested in a controlled environment; levels may vary due to install and install location.

\*\*\* Does not apply to subterranean spaces.

HumidityHappens.com

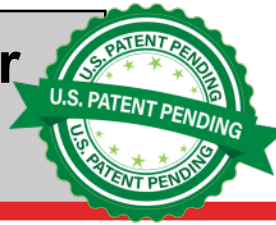
6260 Ocean Hwy West  
Ocean Isle Beach, NC 28469

(910) 579-3348

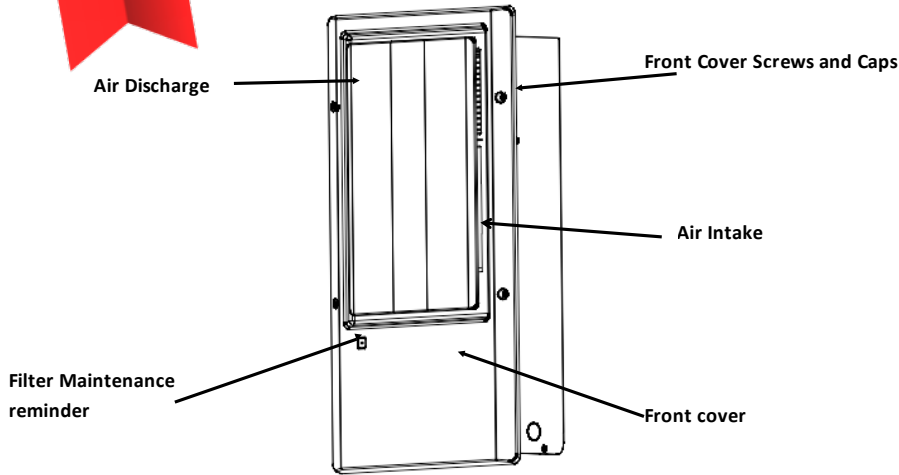




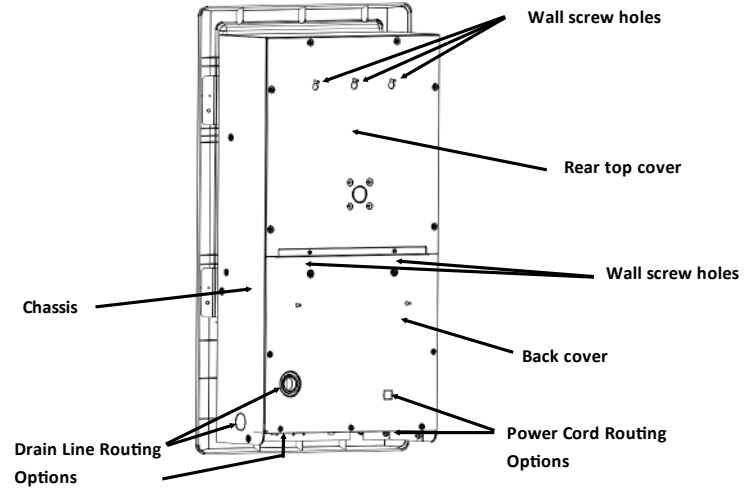
# IW25-4 ON Wall Dehumidifier with Bi-Polar Ion Generator



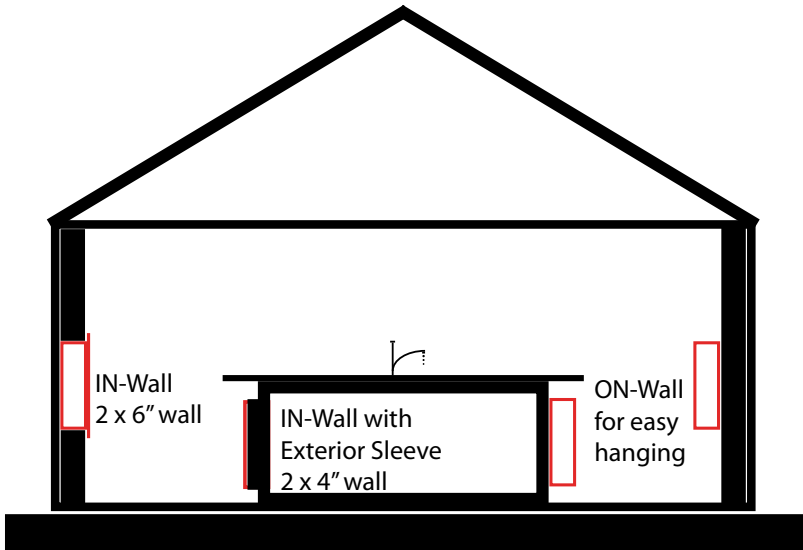
Front View



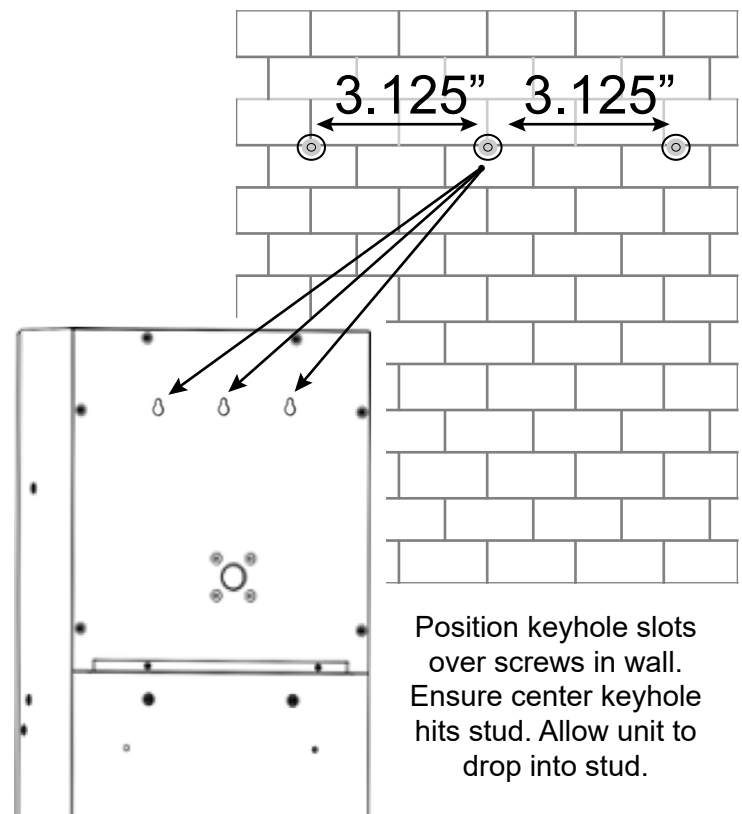
Back View



## Example of Dehumidifier Placement



## Hanging the unit on the wall



Position keyhole slots over screws in wall. Ensure center keyhole hits stud. Allow unit to drop into stud.

## IW25-4 Optional Accessory:

### Integrated Condensate Pump Built for IW25-4



The Integrated Condensate Pump was designed for automatic collection and removal of condensate when gravity drainage is not possible or practical. Pump mounts directly into dehumidifier for tamper-proof control.

Dimensions: 7 1/8" x 3" x 2 3/4"

NOTE: The IW25-4 may be installed at any height, the example is for illustrative purposes only.

The IW25-4 Dehumidifier utilizes its integral humidistat to monitor the environmental conditions. When the relative humidity goes above the selected set point, the dehumidifier will energize. Air is drawn across an evaporator coil, which is cooler than the dew point of air. This means moisture will condense out of the air. The air is then reheated through the condenser coil and distributed back into the room. The ON Wall dehumidifier is designed for direct surface wall mounting on surfaces including drywall, cmu block, masonry, concrete, stucco, etc.



For Complete Installation Instructions Visit: [HumidityHappens.com](http://HumidityHappens.com)

(910) 579-3348 | [info@innovatedehu.com](mailto:info@innovatedehu.com)